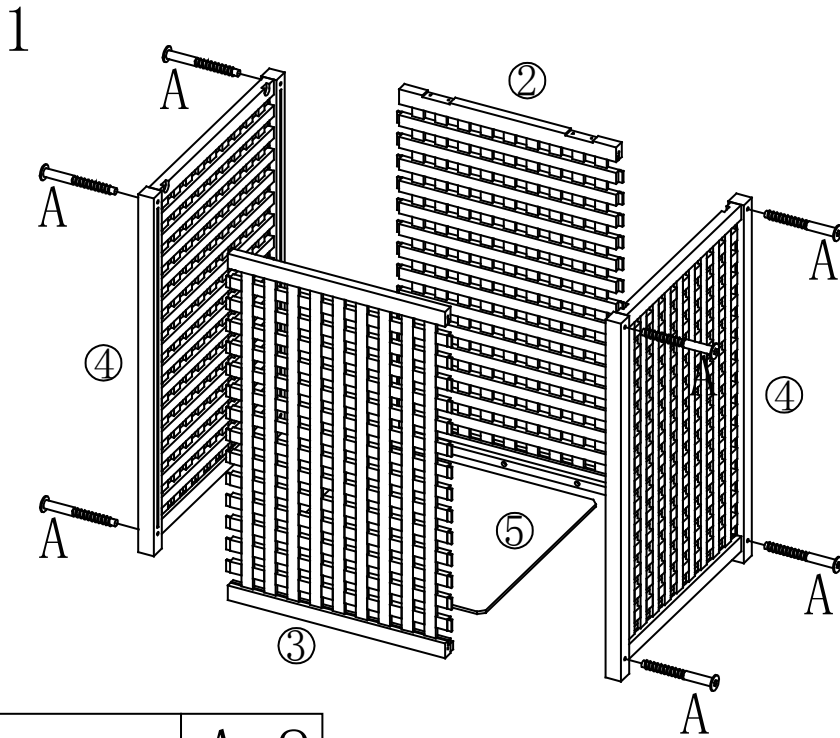
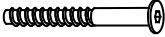

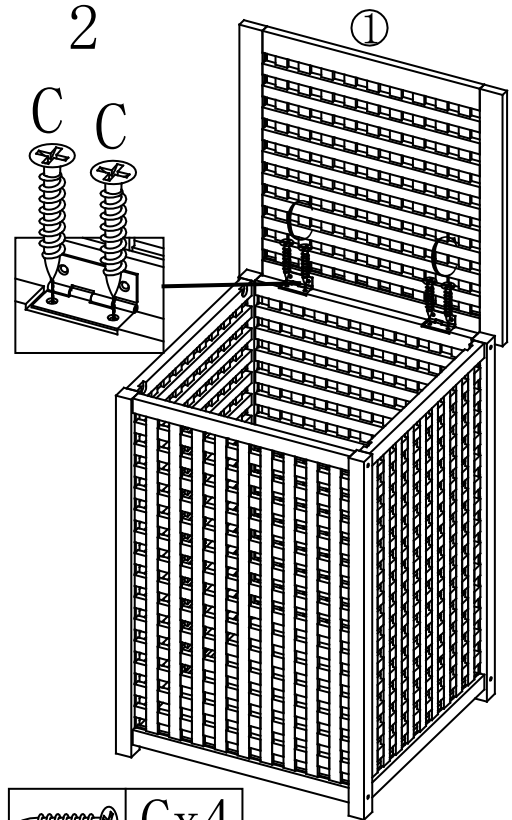



ASSEMBLY INSTRUCTION



	Ax8
	Bx1



	Cx4
--	-----

